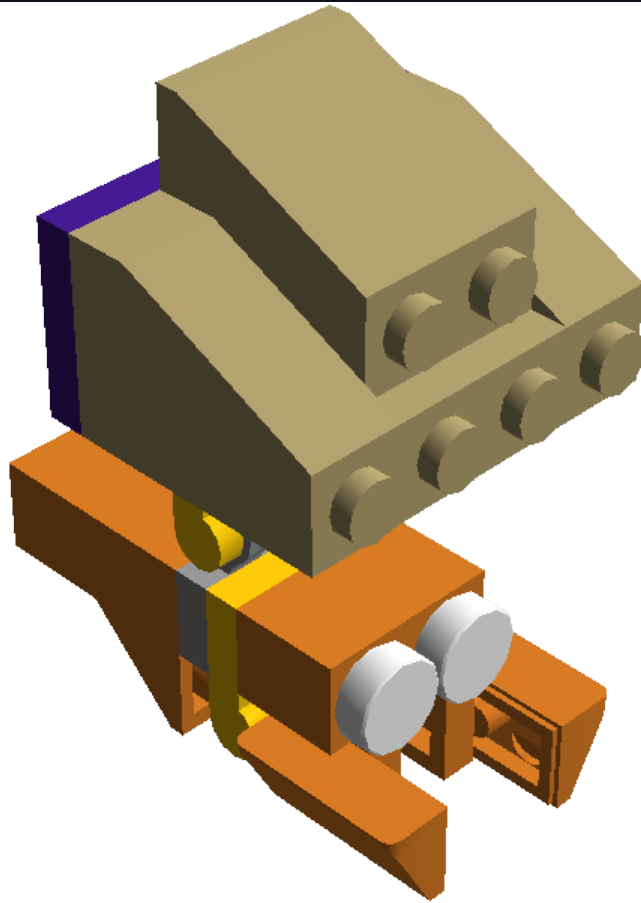




Model Name:
Hermitcrab

Number of Bricks: 23

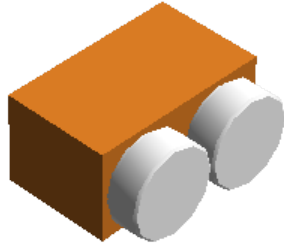


Step 1 of 11

1 x

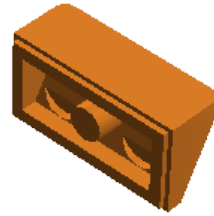


2 x



Step 2 of 11

1 x



Step 3 of 11

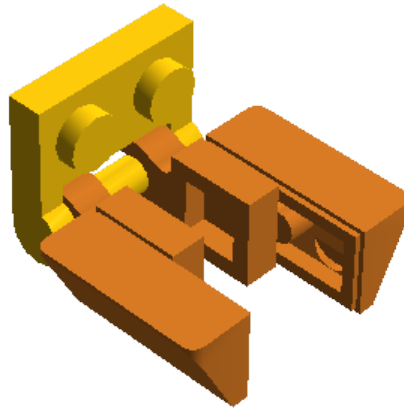
1 x

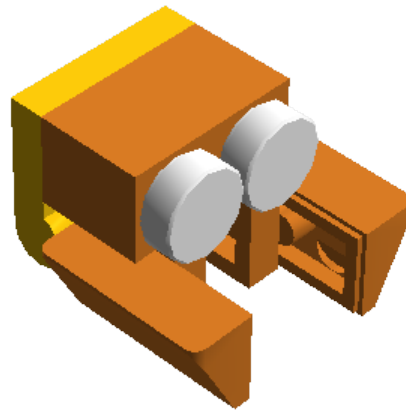


2 x



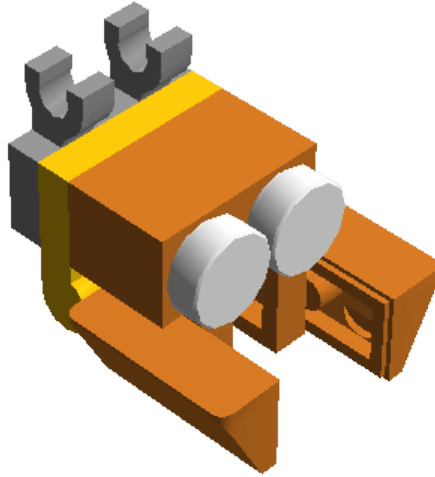
1 x





Step 5 of 11

1 x

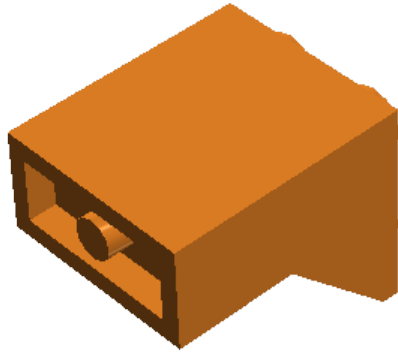


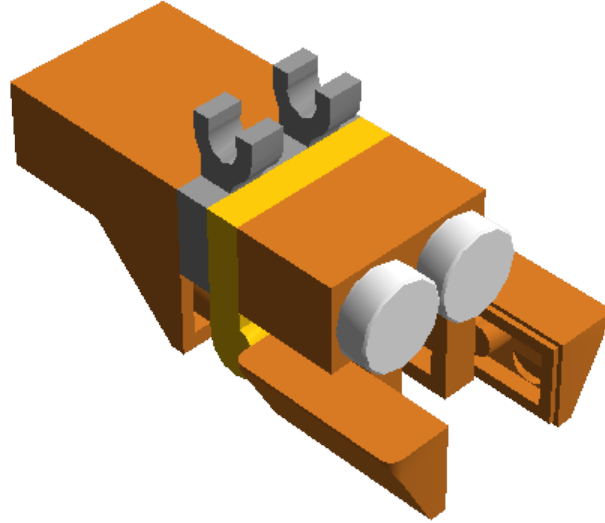
Step 6 of 11

1 x



3 x



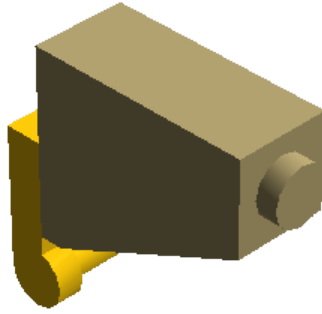


Step 8 of 11

1 x



1 x



Step 9 of 11

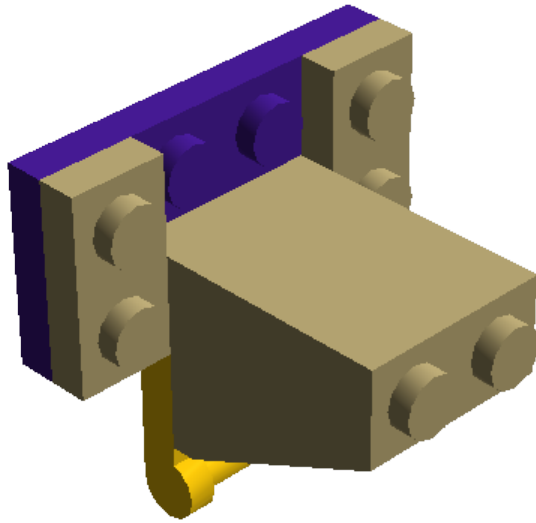
1 x



2 x

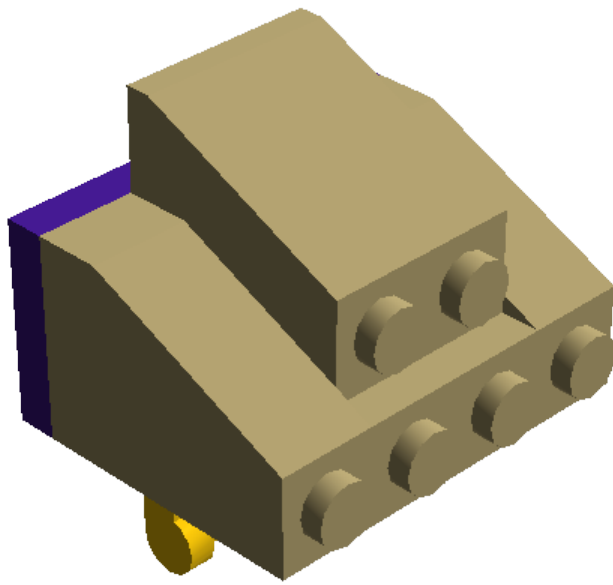


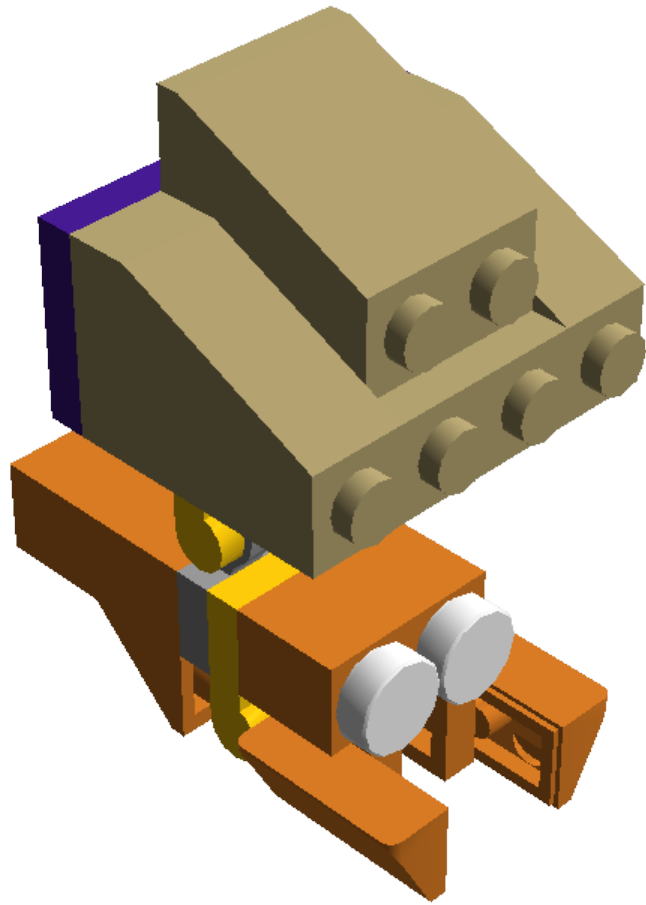
1 x





Step 10 of 11

4 x







1 x  4121739 BRICK 1X2 - ??
Material106??


2 x  4648855 ROOF TILE 1 X 2 X 2/3,
ABS - ??Material106??


6 x  4626200 ROOF TILE 2X1X2 - ??
Material5??


1 x  4118829 ROOF TILE 2X2/45 INV.
- ??Material106??


3 x  4122464 PLATE 1X2 - ??
Material106??


2 x  242005 CORNER PLATE 1X2X2 - ??
Material5??

1 x  4224862 PLATE 2X4 - ??
Material268??

2 x  4646844 FLAT TILE 1X1, ROUND
- ??Material1??

2 x  4587052 PLATE 1X1 W. HOLDER
- ??Material106??

2 x  4501232 PLATE 1X2 W. STICK 3.18
- ??Material24??

1 x  4515173 PLATE 1X2 W/HOLDER,
VERTICAL - ??
Material194??

